

LEGEND BINS

**SMOOTHWALL BINS
& ACCESSORIES**





LEGEND

BINS

LEGENDARY QUALITY

Legend Bins are manufactured by SR Industries. A versatile, innovative manufacturer with ownership having an extensive background and education in Mechanical engineering and manufacturing. SR Industries operates one of Manitoba's biggest paint booths, complete with bake cycle.

From day one, SR Industries has focused on customer relationships. It's not just about selling and building but rather listening to the customer, working with the customer, and following up to create better products. Seeing a product evolve through feedback from our customers helps us develop a quality product.

LEGEND AIR SYSTEM

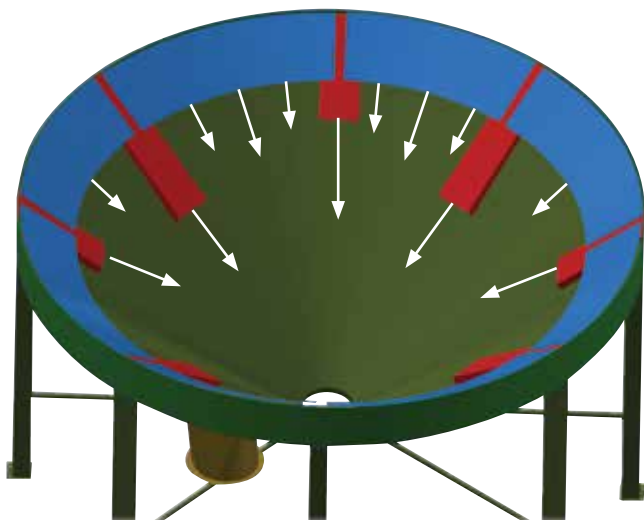
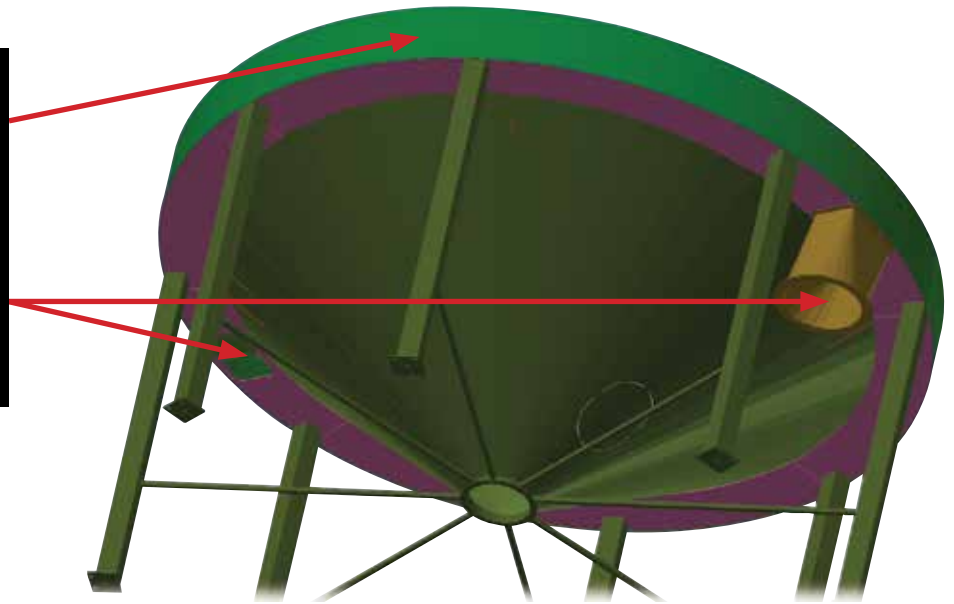
Legend Bins feature a unique aeration system built into the structure of the bin to distribute air like no other.

When storing grain, producers know the importance of evenly distributed air to ensure the proper cooling or aerating of their product.

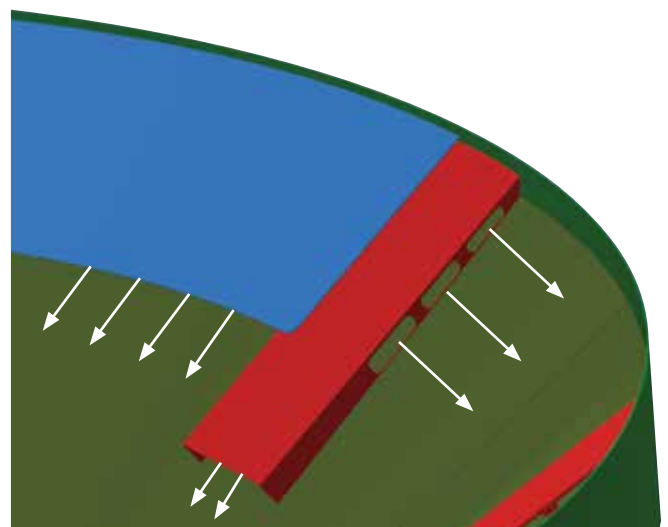
The green ring, along with cover-plates and main cone sheets create a triangular Duct that evenly distributes the air around the bin perimeter, before air enters the bin.

Each bin comes with two air intake holes, so an additional transition and fan can be mounted to a later point, or fan position changed .

More than two ports are available as option.



After the air is distributed around the bin, it enters the bin through several holes (hidden under red channels).



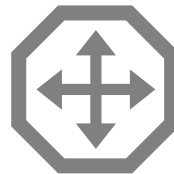
(One blue cover removed for clarity.)
NOTE FOR FERTILIZER BINS: Duct shown in blue not present, cover plates shown in red are Stainless steel.

GRAIN BINS



Standard Equipment and Features:

- 35 Degree Roof and 40 Degree Hopper Cone
- Ladder with safety grip step
- Rack and Pinion bottom gate with adjustable hand crank
- Vented Roof Lid
- Sandblasted prep. Topcoat with 2 part epoxy paint
- Mounted on a 21" wide skid foundation for unmatched strength and stability
- Adjustable rack & pinion slide gate assembly. Includes adjustable leg/slide gate handle
- Clearance from Slidegate to ground: 32 3/8" with skid, 28" with no base



Wide Skid Foundation



Legend Air System

LEGEND GRAIN BINS	SIZE (BUSHELBS)	MINIMUM AUGER LENGTH	BIN HEIGHT
Legend 1615 Grain	3323	51	29' 2"
Legend 1620 Grain	4118	61	34' 2"
Legend 1625 Grain	4973	71	39' 2"
Legend 1630 Grain	5828	81	44' 2"
Legend 1820 Grain	5324	61	35' 9"
Legend 1825 Grain	6405	71	40' 9"
Legend 1830 Grain	7488	81	45' 9"

Tonnage based on 62lbs./cu.ft

FERTILIZER BINS



Standard Equipment and Features:

- Sandblasted prep. Topcoat with 2 part epoxy paint
- 2 Part epoxy paint Interior coating
- 35 Degree Roof and 40 Degree Hopper Cone
- Ladder with safety grip step
- Rack and Pinion bottom gate with adjustable hand crank
- Vented Roof Lid
- Mounted on a 21" wide skid foundation for unmatched strength and stability
- Adjustable rack & pinion slide gate assembly. Includes adjustable leg/slide gate handle
- Clearance from Slidegate to ground: 32 3/8" with skid, 28" with no base



Wide Skid Foundation



Legend Air System

LEGEND FERTILIZER BINS	SIZE (BUSHELS)	MINIMUM AUGER LENGTH	BIN HEIGHT	IMPERIAL TONS	METRIC TONNES
Legend 1615 Fertilizer	3323	51	29' 2"	119	108
Legend 1620 Fertilizer	4118	61	34' 2"	150	136
Legend 1625 Fertilizer	4973	71	39' 2"	181	165
Legend 1630 Fertilizer	5828	81	44' 2"	213	193
Legend 1820 Fertilizer	5324	61	35' 9"	194	176
Legend 1825 Fertilizer	6405	71	40' 9"	234	212
Legend 1830 Fertilizer	7488	81	45' 9"	273	247

Tonnage based on 62lbs./cu.ft

AERATION PACKAGES



The Next Generation Rocket

- Smooth louvered surface allows for cleaner unloading
- New reduced weight, re-designed side legs and internal support rings provide greater structural strength, up to 125% greater than the classic rocket
- Improved design results in increased vertical loading up to 30' in grain height
- 3 Leg design for better stability in the bin
- Extended legs reach up to top reinforcing rings (3/4 up Rocket length) to provide a much stronger structure and increased stability during irregular grain flows while unloading the bin



Grain Guard Next Generation Aeration Tube

- Available in 18" and 24" diameters
- For conditioning and cooling grain. The new design includes laser-cut internal rings providing
- Increased strength, as well as downward facing louvers that provide improved cleanout.
- These aeration tubes are removable for the storage of fertilizer

AERATION PACKAGES

Patent Pending Legend 360 Aeration - Includes 24" Fan Transition
Grain Guard 18" GG9000 8' Tube Air - 5000bu
Grain Guard 24" GG10000 8' Tube Air - 6500bu
Grain Guard 24" GG10000 10' Tube Air - 6500bu
Grain Guard 7000 Next Gen Aeration - 4' - 3500bu
Grain Guard 7000 Next Gen Aeration - 6' - 5000bu
Grain Guard 7000 Next Gen Aeration - 8' - 6000bu
Grain Guard 8000 Next Gen Aeration - 4' - 7000bu

FEATURES & ACCESSORIES



BIN ACCESSORIES:

- View Glass
- Bottom Manway
- Poke Hole
- Top Manhole
- LevAlert Full Bin Indicator
- Stainless Steel Rack & Pinion Slide Gate Assembly
- Stainless Steel Slide Gate Only
- Stainless Steel Poke Hole
- Stainless Steel Bottom Manway Cover
- Sidewall Interior Ladder
- Lid Opener Handle (c/w bracket & mounting screws)
- Roof Hand Rails
- Ladder Safety Cage
- Bean Ladders
- Temperature / Moisture Cable Installation



Manufactured By:



MAILING ADDRESS:

PO Box 20119
Brandon South PO
Brandon, MB
R7A 6Y8

MAIN OFFICE:

59081 Rd 114W
Marsden Road
Brandon, MB
R0K 0W0

204.720.6330
sales@srindustriesinc.ca
www.legendbins.ca